

Key Features

- ◆ LCD display High Frequency Double Conversion Sine Wave Online UPS 10-60KVA
- ◆ DSP digital control technology, Zero transfer time
- ◆ Parallel up to 6 units for 10-40K standard type, 10/20K long backup type, 4 units for 30/40/50/60K long backup type
- ◆ Three phase sine wave, output Power Factor 1
- ◆ Wide input voltage range -30% ~ +20%
- ◆ Wide input Frequency 40-70Hz
- ◆ Support Generator, output HZ be fixed or follow mains
- ◆ Three adjustable charging current 1-12A/1-16A/1-18A for different models
- ◆ Adjustable battery numbers
- ◆ Advanced Input PFC technology, 0.99
- ◆ Full protection, overload, over voltage, short circuit, over temperature etc.
- ◆ EPO, RS232/USB communication with monitoring software, optional
- ◆ Parallel function, SNMP optional
- ◆ 5" and 7" color touch type LCD display

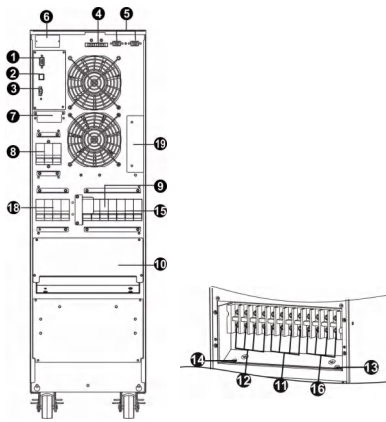


33RYY10K/10KS
33RYY20K/20KS

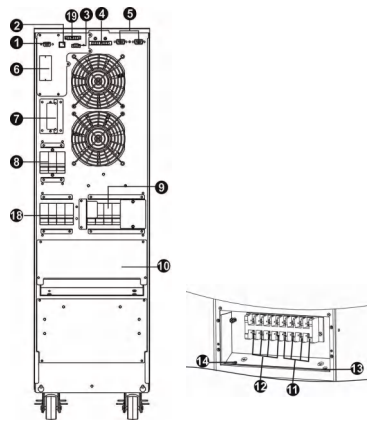
33RYY30K(S)/33RYY40K(S)
33RYY50KS/33RYY60KS

Technical Specifications

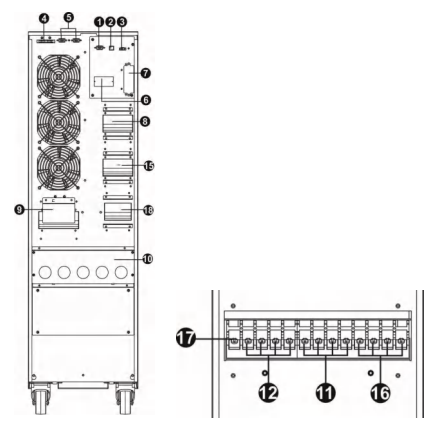
Model	33RYY10K/10KS	33RYY20K/20KS	33RYY30K/30KS	33RYY40K/40KS	33RYY50KS	33RYY60KS	
Phase	3-phase in / 3-phase out						
Capacity	10KVA/10KW	20KVA/20KW	30KVA/30KW	40KVA/40KW	50KVA/50KW	60KVA/60KW	
Parallel Capacity	6pcs		6pcs for standard model; 4pcs for long backup model				
Input	Voltage	380/400/415 VAC (3Ph+N)					
	Voltage Range	-30% ~ +20%					
	Frequency	40~70Hz					
	Power Factor	≅ 0.99 @ 100% Load					
	Harmonic Distortion (THDi)	< 3% at full linear load					
Output	Voltage	380/400/415 VAC (3Ph+N)					
	AC Voltage Regulation (Batt. Mode)	± 1%					
	Factor	1					
	Frequency Range	Synchronized Range 46~54Hz or 56~64Hz Batt. Mode 50/60 Hz ± 1%					
	Current crest ratio	3:1(max)					
	Harmonic Distortion	≅ 1% THD (Linear Load) ; ≅ 3% THD (Non-linear Load)					
	Transfer Time	Zero					
	Waveform (Batt. Mode)	Pure Sine wave					
Overload capacity	100-110% for 60 min, 111-125% for 10 min, 126%~150% for 1 min; >150% for 400ms						
Bypass	Nominal Voltage	3 x 360/380/400/415 VAC (3Ph+N)					
	Voltage Range	-30% ~ +20% (Adjustable)					
	Frequency Range (Synchronized Range)	46~54Hz or 56~64Hz					
	Overload Capability	> 130% 1 minute (default) Continuously working until breaker protection (optional)					
Battery	Standard Model	Capacity	12 V/9 Ah	12 V/9 Ah	12 V/9 Ah	12 V/9 Ah	N/A
		Numbers	(10+10) pcs	(16+16) pcs	(16+16) pcs * 2		
		Typical Recharge Time	9 hours recharge to 90% capacity				
		Charging Current (max.)	1-12A Adjustable		1-16A Adjustable		
	Long Backup Model	Capacity	Depending on the applications				
		Numbers	+/- 10 pcs	+/- 16 pcs ~ +/- 20 pcs (Adjustable)	32~40 pcs (Adjustable)		
		Charging Current (max.)	1-12A Adjustable				1-18A Adjustable
		Charging Voltage	+/-136.5 VDC ± 1%	+/-218 VDC ± 1%			+/-13.65V x N (N=16~20)
Efficiency	AC /Battery Mode: 96%; ECO Mode: 99%						
LCD Panel Indicators	UPS status, Load level, Battery level, Input/Output voltage, Discharge timer, and Fault conditions						
Management	RS-232 / USB	Supports Windows 2000/2003/XP/Vista/2008, Windows27/8/10, Linux and MAC					
	SNMP Card	Optional					
Working Temperature	0°C~40°C						
Altitude	0 ~ 1500m at full load						
Audible Noise	≤60dB						
Storage Temperature	-15°C~45°C						
Working Humidity	20%~95%						
Noise (dB)	≤ 60dB						
Product Size(L*W*H) mm	Standard Model	630*250*826		815*300*1000		N/A	
	Long Backup Model	630*250*826		815*300*1000			
Net Weight (kg)	Standard Model	124	139	225	250	N/A	
	Long Backup Model	28	43	55	58	74 74	



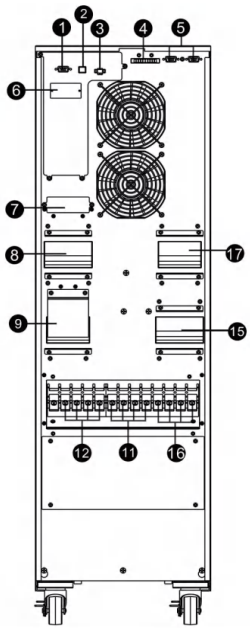
33RYY10K/20K



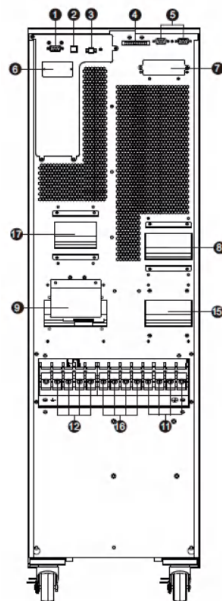
33RYY10KS/20KS



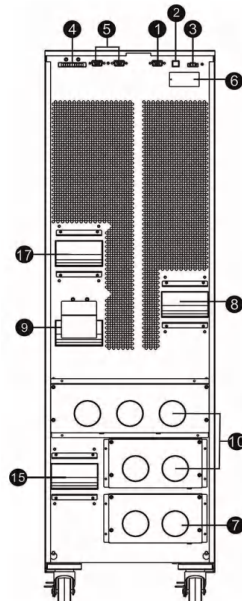
33RYY30K/33RYY40K



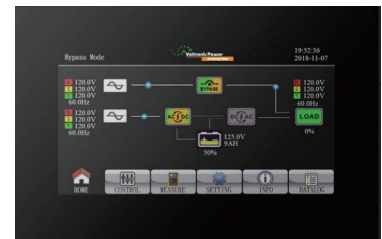
33RYY30KS



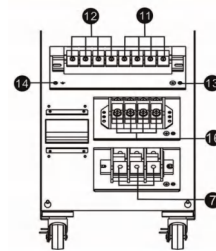
33RYY40KS



33RYY50KS/33RYY60KS



5" Touch LCD Panel



- 1. RS-232 communication port
- 2. USB communication port
- 3. Emergency power off function connector (EPO connector)
- 4. Share current port
- 5. Parallel port
- 6. Intelligent slot
- 7. External battery connector/terminal (Only available for long-run model)
- 8. Line input circuit breaker/switch
- 9. Maintenance bypass switch (option)

- 10. Input/Output terminal
- 11. Line input terminal
- 12. Output terminal
- 13. Input grounding terminal
- 14. Output grounding terminal
- 15. Bypass input circuit breaker/switch
- 16. Bypass input terminal
- 17. Grounding terminal
- 18. Output switch
- 19. Dry contact communication port(optional)