

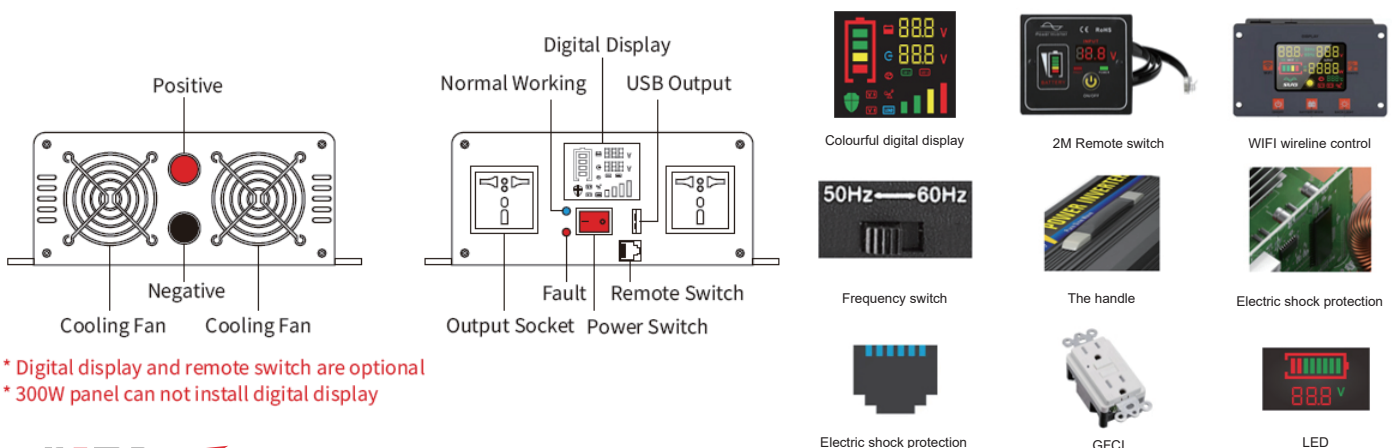
Key Features

- ◆ High frequency DC/AC Power Inverter CTSW300-2500
- ◆ Single phase sine wave with USB Charger
- ◆ Output 220V/230V or 110V/120V 50/60HZ
- ◆ Full range protection for the output and the battery
- ◆ Two times surge capacity for all modes
- ◆ Use as Car inverter / Home inverter / Solar Inverter
- ◆ Selectable Socket S03/S05/S11/S12/S13/S14
- ◆ With Battery Cable
- ◆ Option digital display / Remote control / Frequency switch / GFCI



Technical Specifications

Model	CTSW300	CTSW500	CTSW1000	CTSW1500	CTSW2000	CTSW2500
Rated Power	300W	500W	1000W	1500W	2000W	2500W
Surge Power	Two Times of the Rated Power for few seconds)					
Input Voltage	12/24 or 48VDC, Choice while order					
Output Voltage	110VAC or 220VAC ±5%					
USB Port	5V 0.5A					
Frequency	50Hz±3 or 60Hz±3					
Output Waveform	Pure Sine Wave					
Soft Start	YES					
AC Regulation	THD < 3%(Linear Load)					
Output Efficiency	94% MAX					
DC Voltage Range	10-15.5V@12VDC, Else is times					
Low Voltage Alarm	10.5±0.5V@12VDC, Else is times					
Low Voltage Shut Down	10±0.5V@12VDC, Else is times					
Low Voltage Recovery	13±0.5V@12VDC, Else is times					
Over Voltage Shut Down	15.5±0.5V@12VDC, Else is times					
Over Voltage Recovery	14.8V±0.5V@12VDC, Else is times					
Cooling Way	Intelligent Cooling Fan					
Protection	Battery Low Voltage & Over Voltage, Over Load, Over Temperature, Short Circuit					
Working Temperature	-10℃ - +50℃					
Product Size(mm)	200*112*60	215*150*78	290*166*88	385*166*88	385*166*88	440*166*88
Carton Size(mm)	545*490*325	760*450*280	480*460*400	495*480*315	495*480*315	555*470*315
Carton Weight (kg)	20	22.34	22.3	19.18	19.78	30.44
PCS /CTN	18	10	6	4	4	4
REMARK	CTSW-D, Digital display D;CTSW-E, Digital display E,CTSW-R, Remote Switch					



* Digital display and remote switch are optional
 * 300W panel can not install digital display